
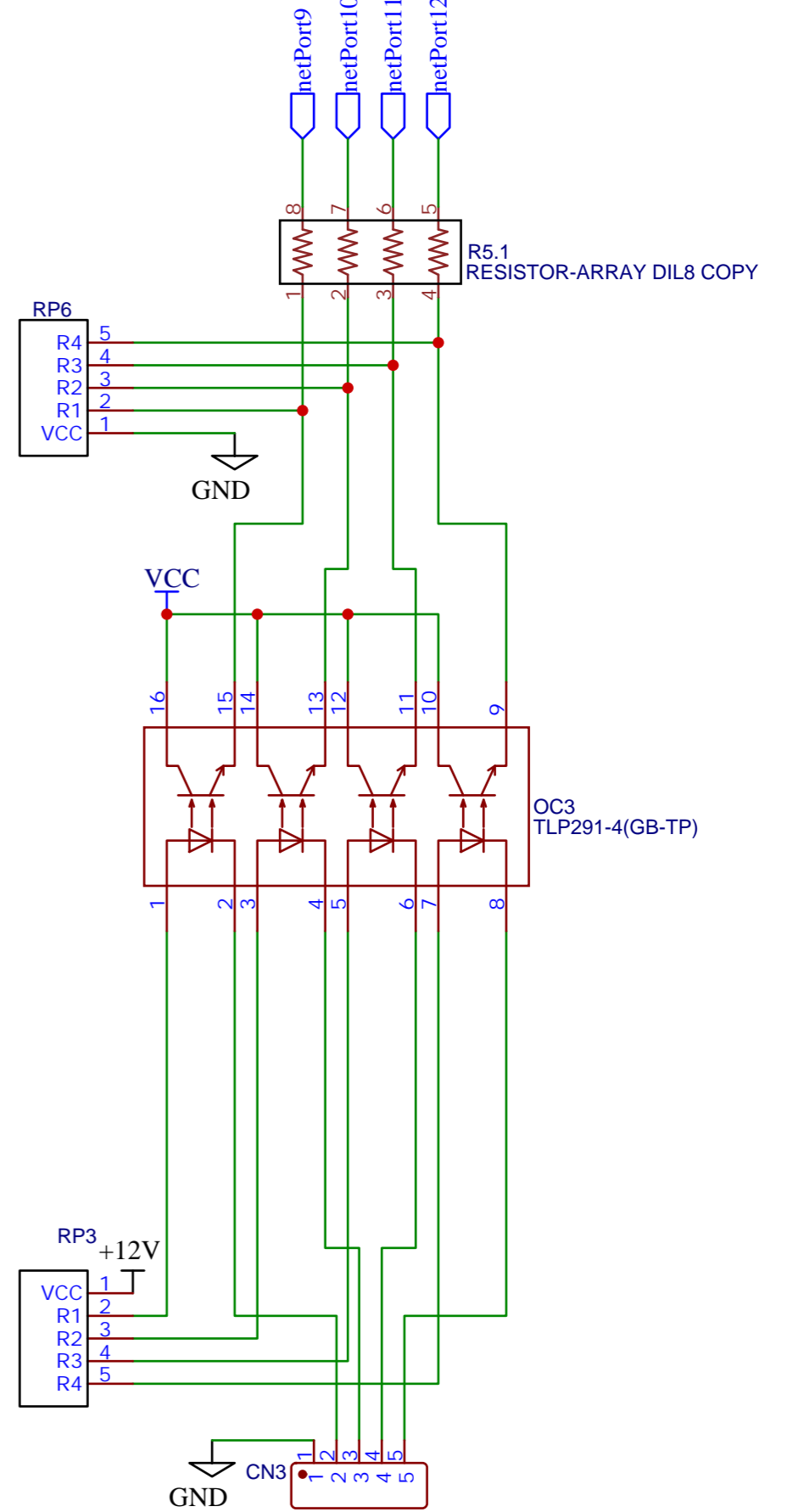
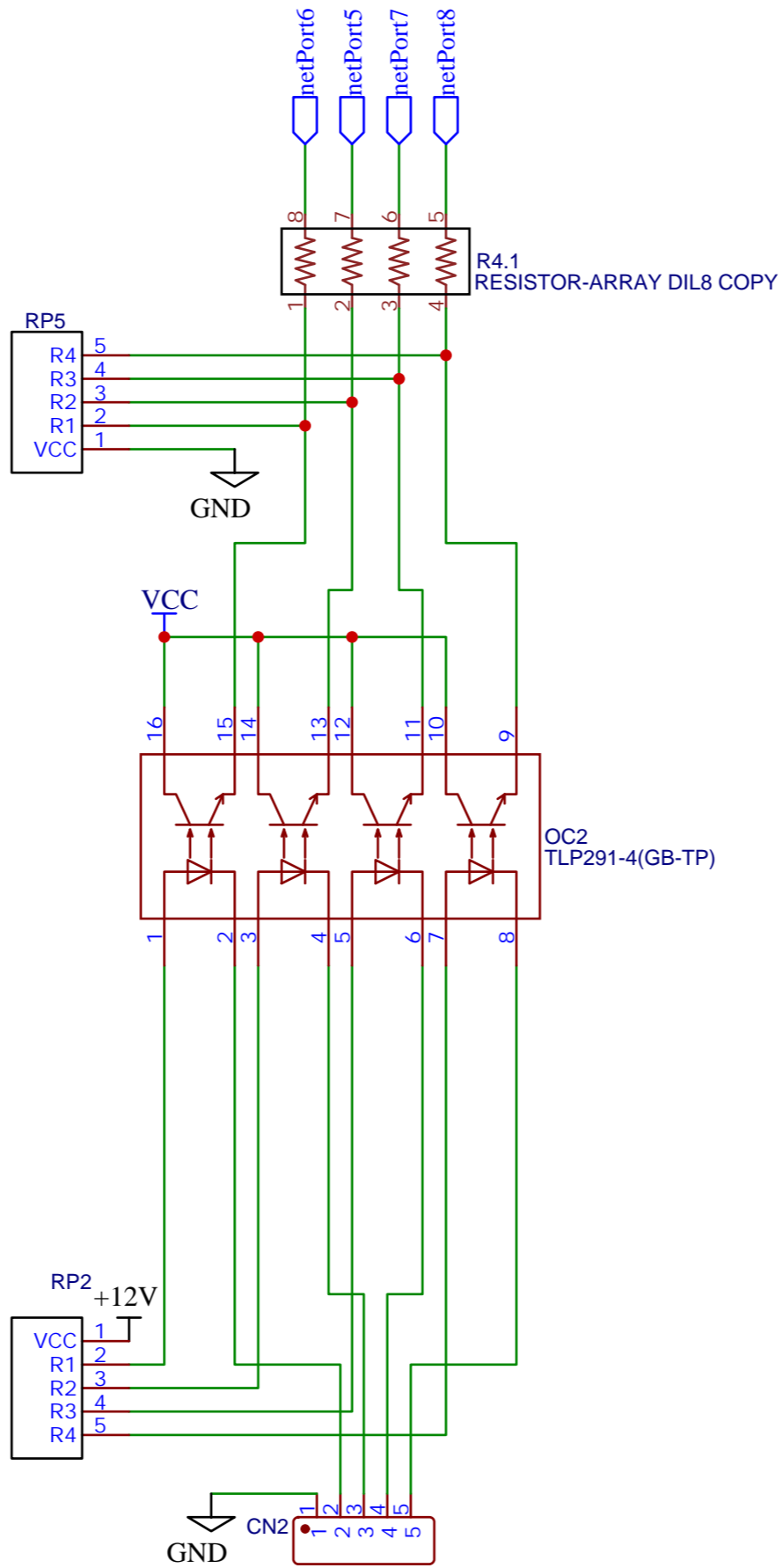
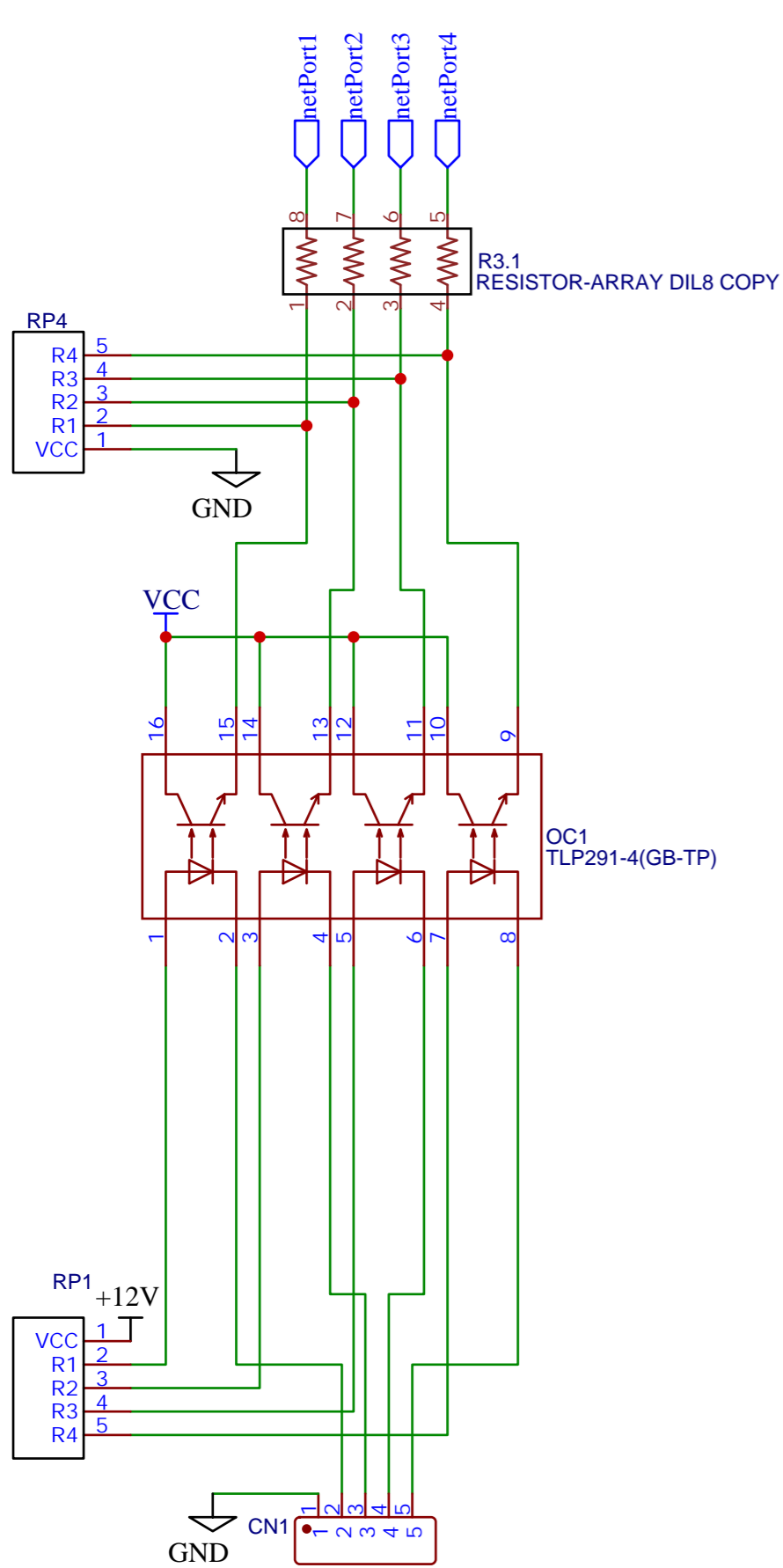
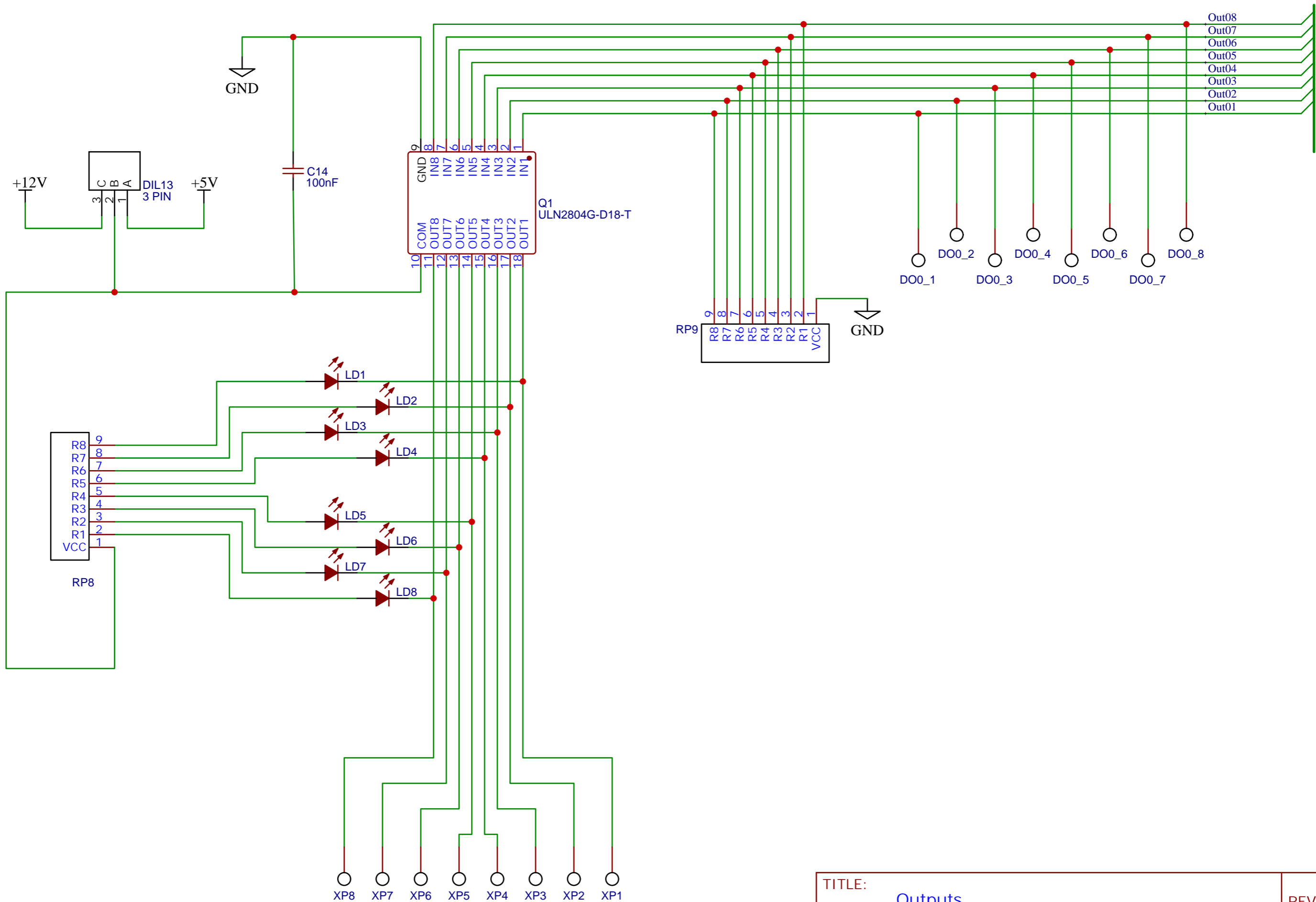


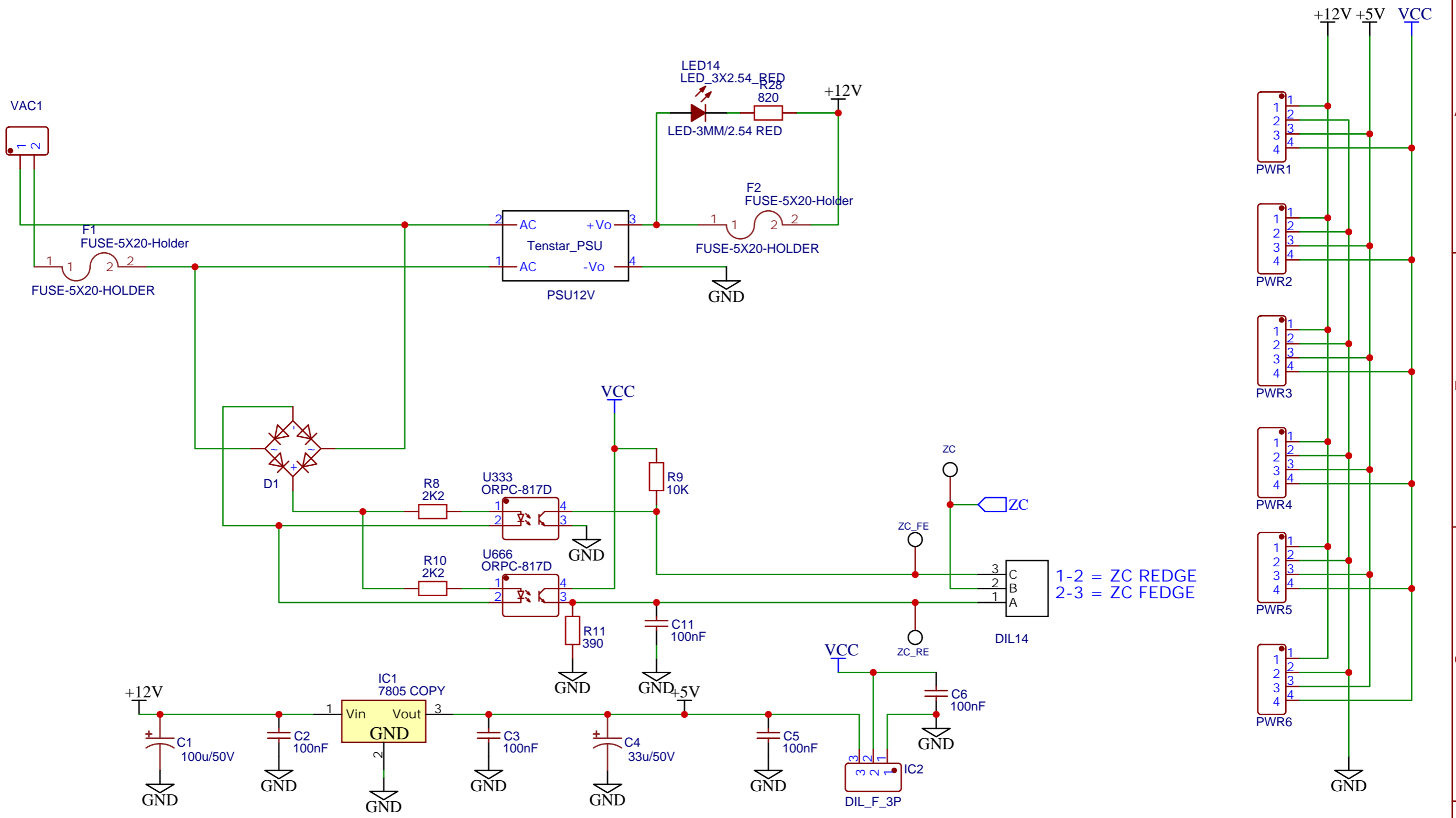
TITLE: MainBus		REV: 1.0
	Company: 3r1's Tech	Sheet: 1/1
	Date: 2020-01-27	Drawn By: dg3r1



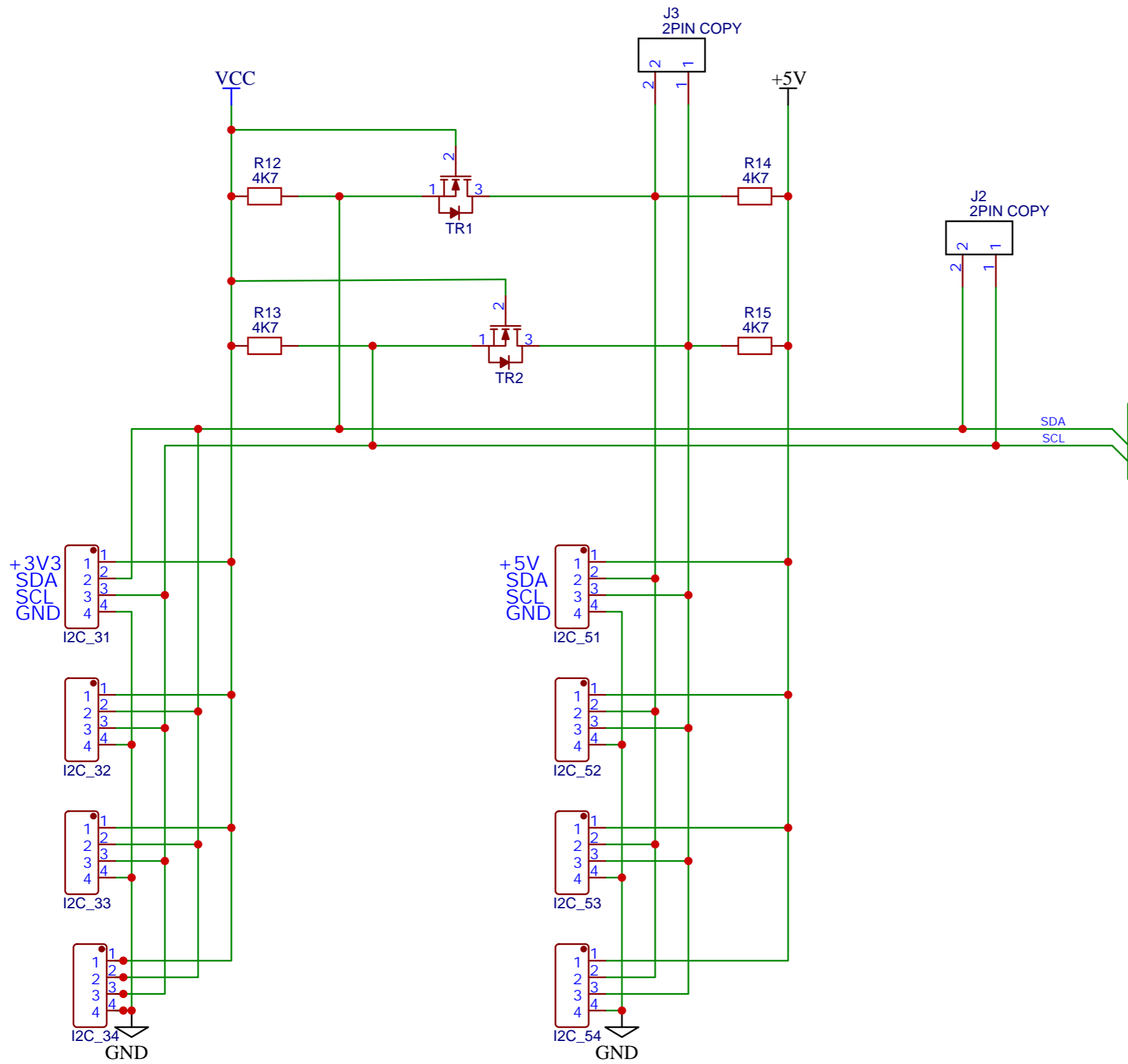
TITLE: Inputs		REV: 1.0
	Company: 3r1's Tech	Sheet: 1/1
	Date: 2020-01-27	Drawn By: dg3r1




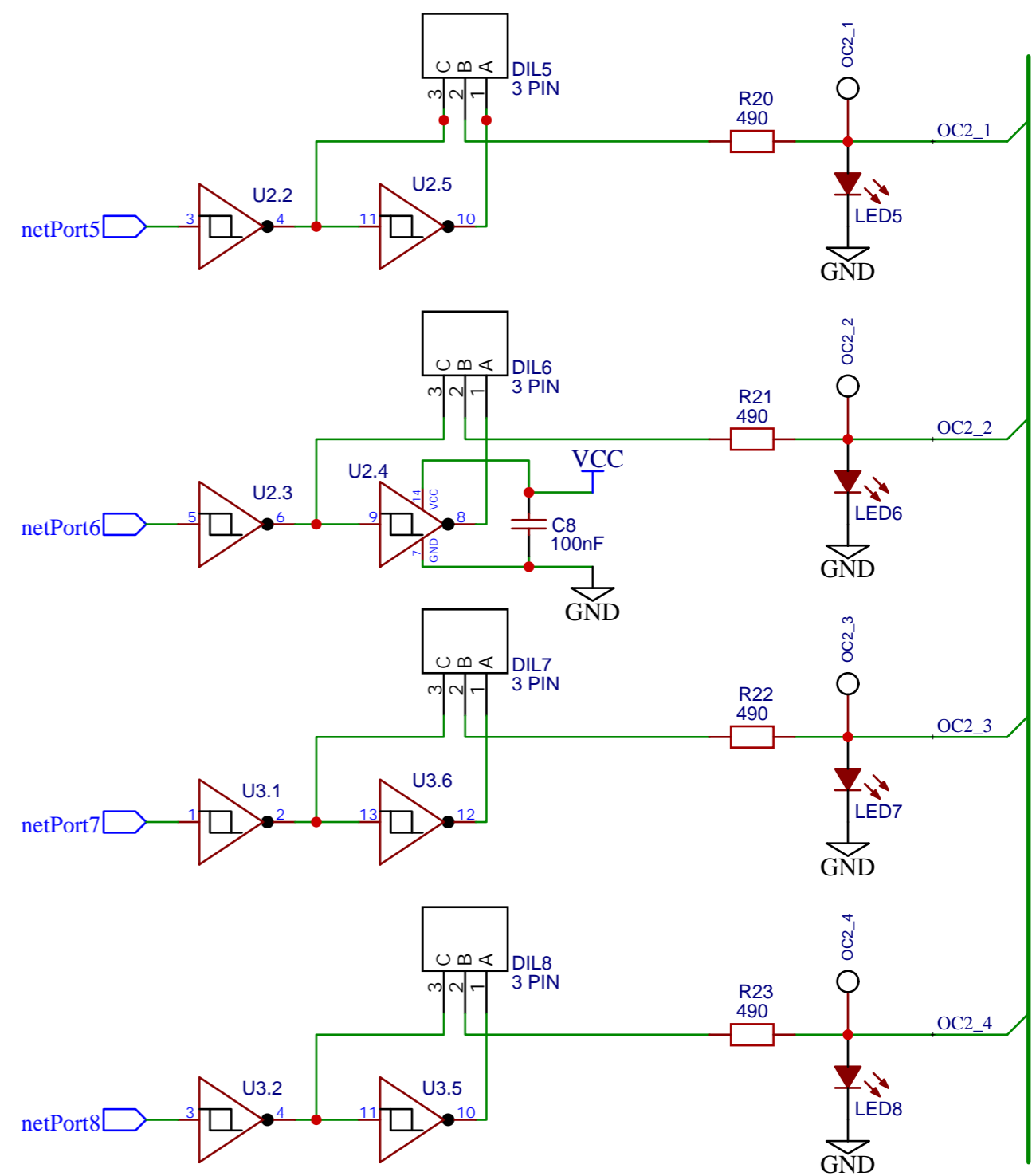
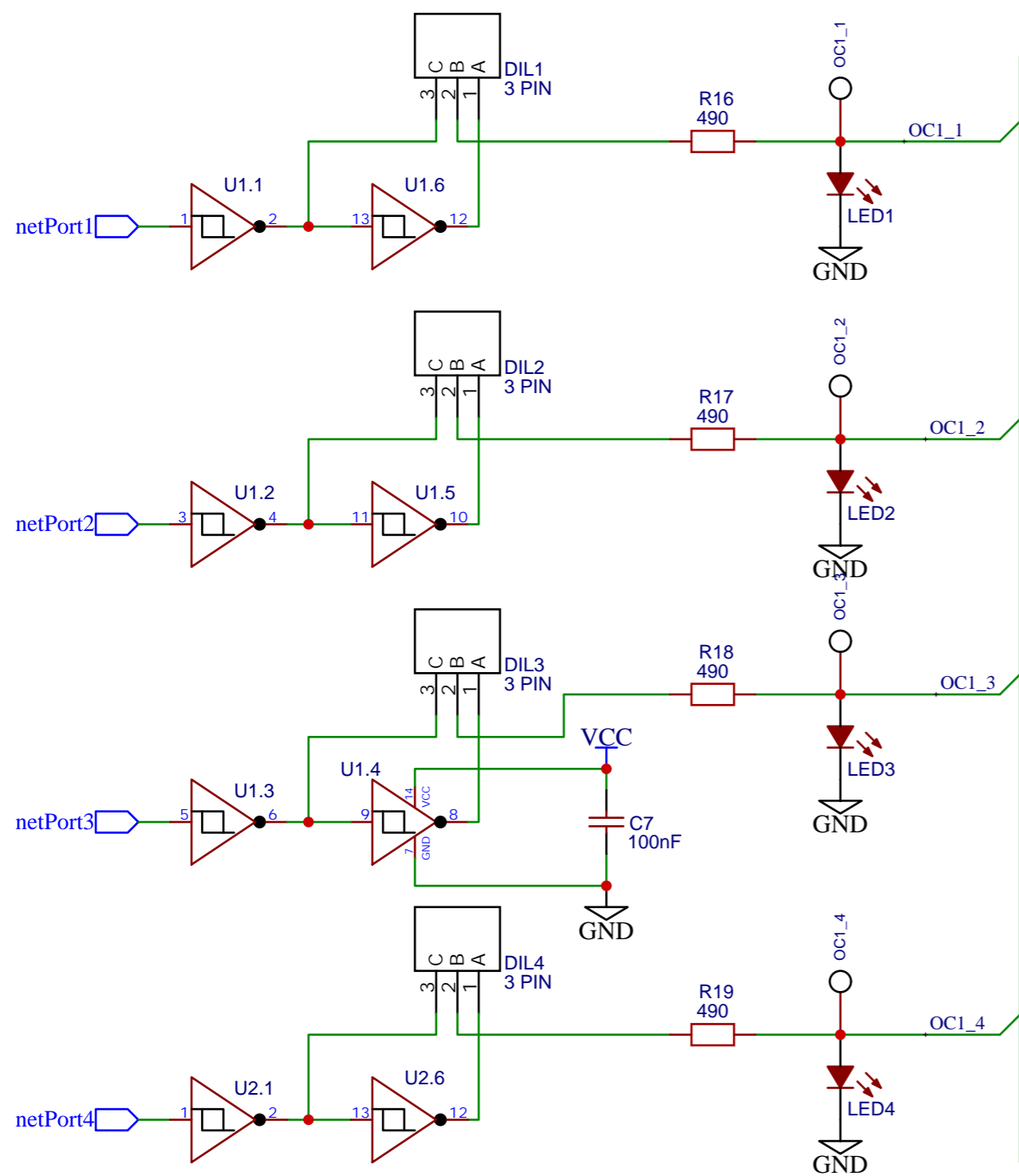
TITLE: Outputs		REV: 1.0
	Company: 3r1's Tech	Sheet: 1/1
	Date: 2020-01-27	Drawn By: dg3r1



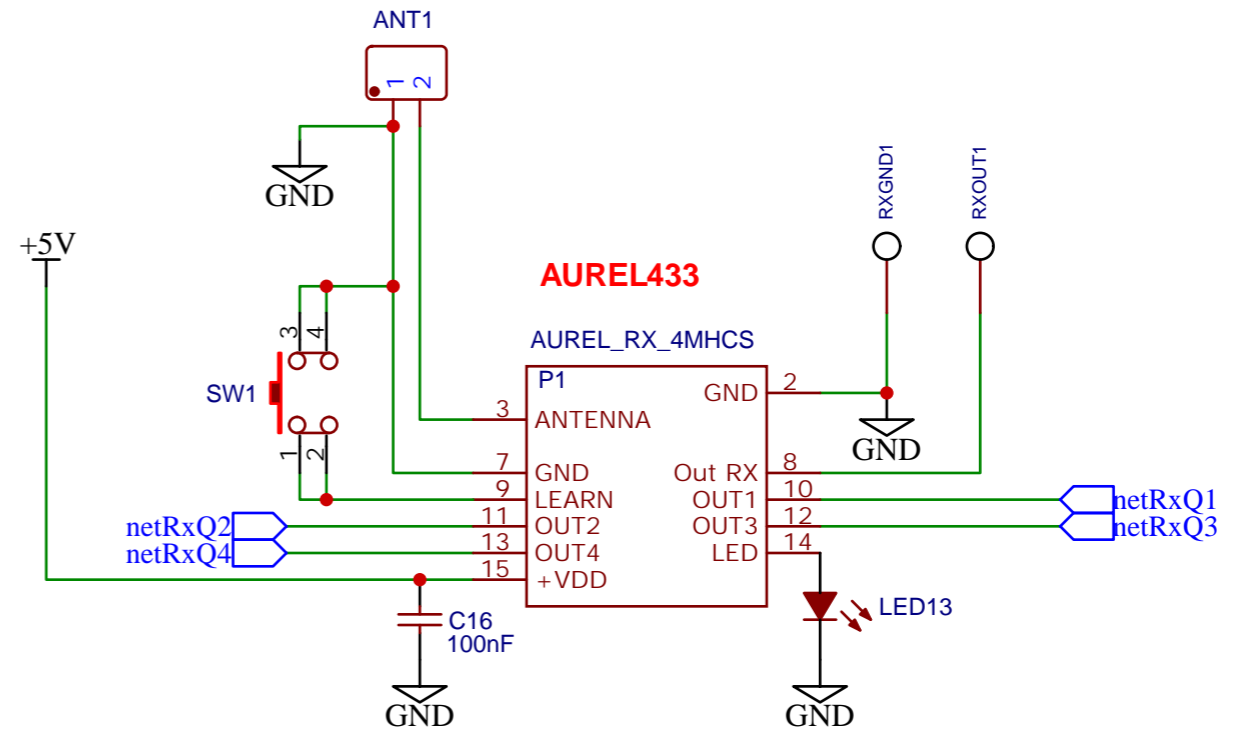
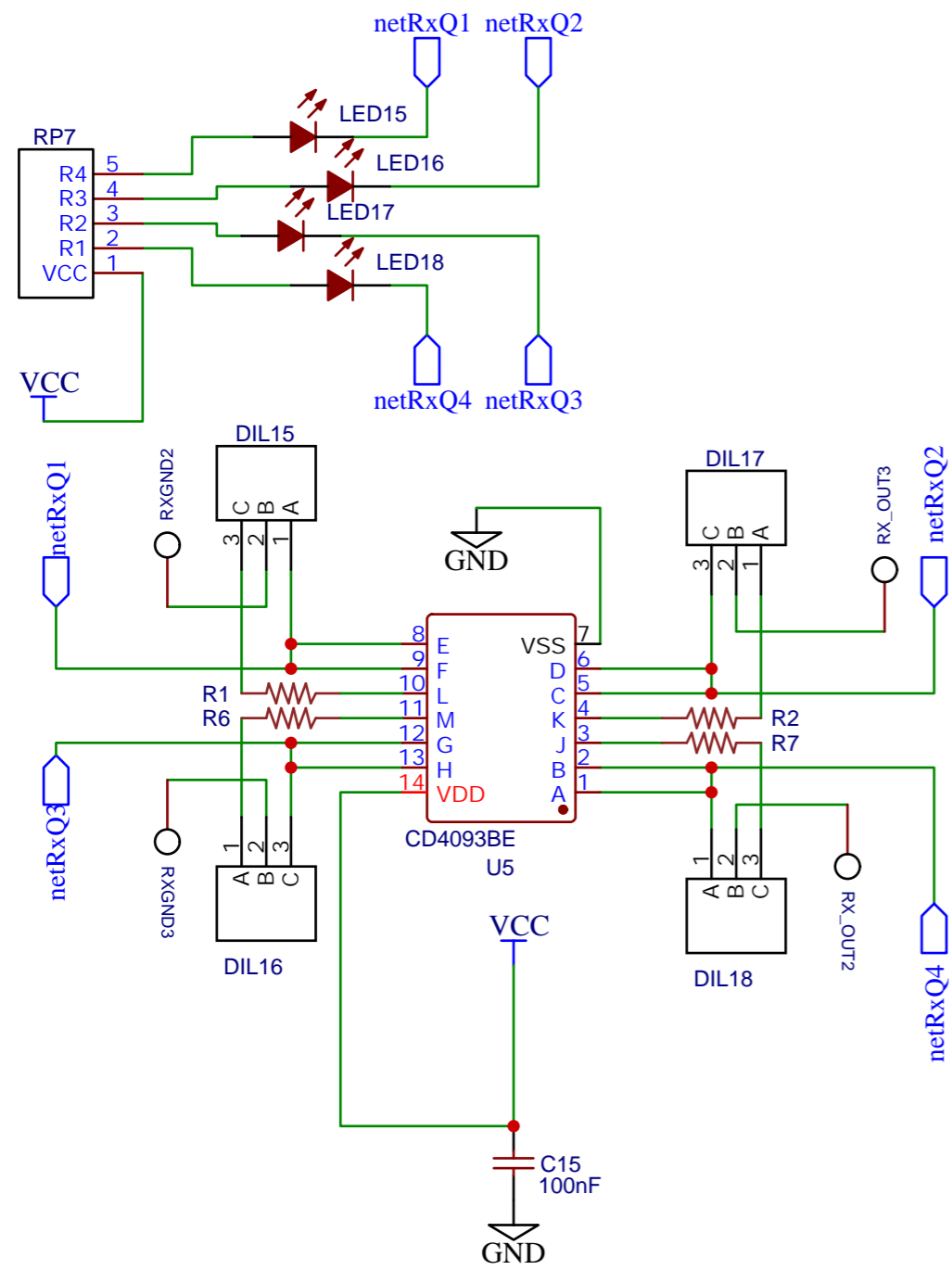
TITLE: Power		REV: 1.0
EasyEDA	Company: 3r1's Tech	Sheet: 1/1
	Date: 2020-01-27	Drawn By: dg3r1



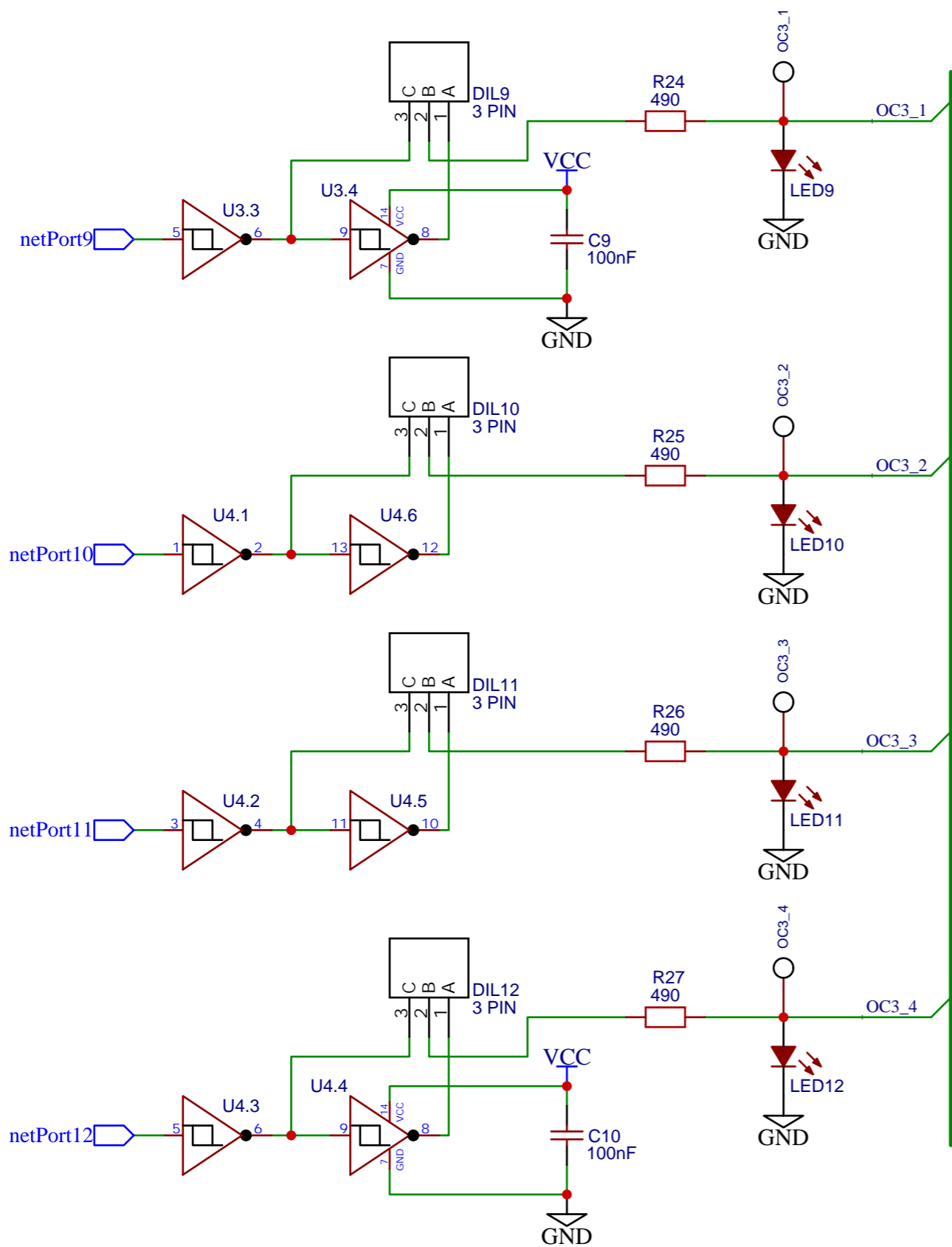
TITLE: I2C		REV: 1.0
	Company: 3r1's Tech	Sheet: 1/1
	Date: 2020-01-29	Drawn By: dg3r1



TITLE: Signals		REV: 1.0
EasyEDA	Company: 3r1's Tech	Sheet: 1/1
	Date: 2020-01-27	Drawn By: dg3r1



TITLE: Receiver		REV: 1.0
	Company: Your Company	Sheet: 1/1
	Date: 2020-05-01	Drawn By: dg3r1



TITLE: Sheet_1		REV: 1.0
EasyEDA	Company: Your Company	Sheet: 1/1
	Date: 2020-08-11	Drawn By: dg3r1