
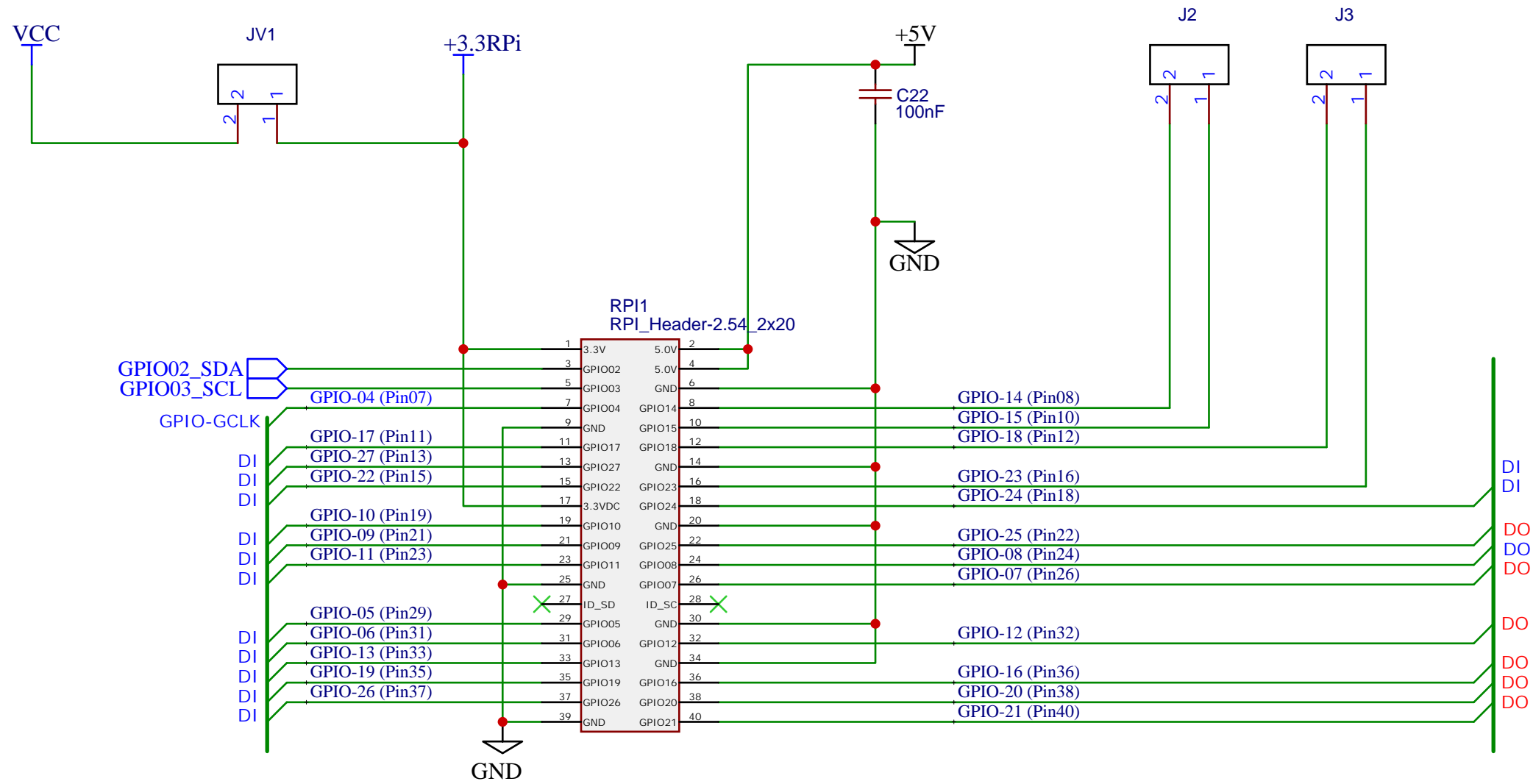

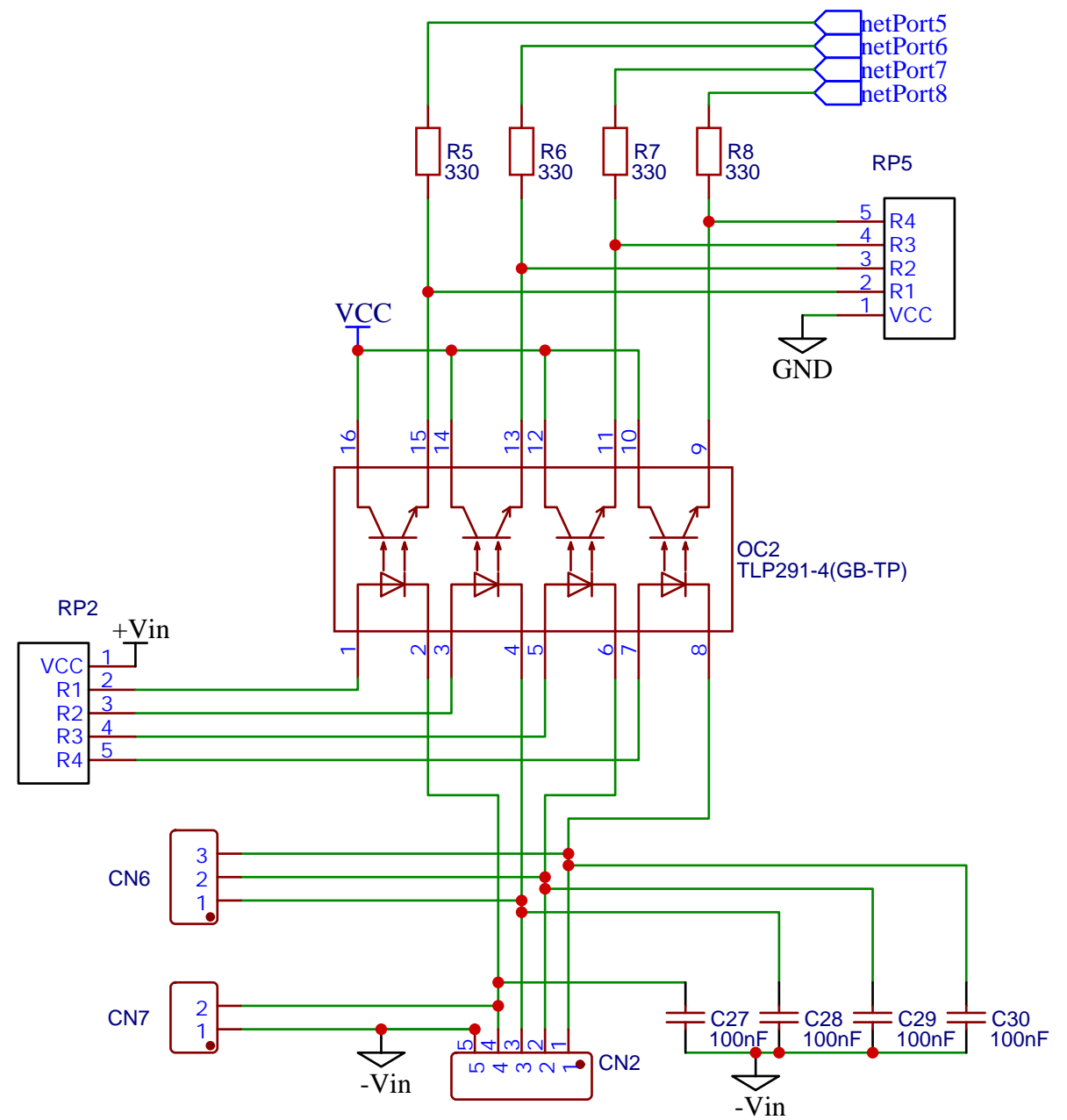
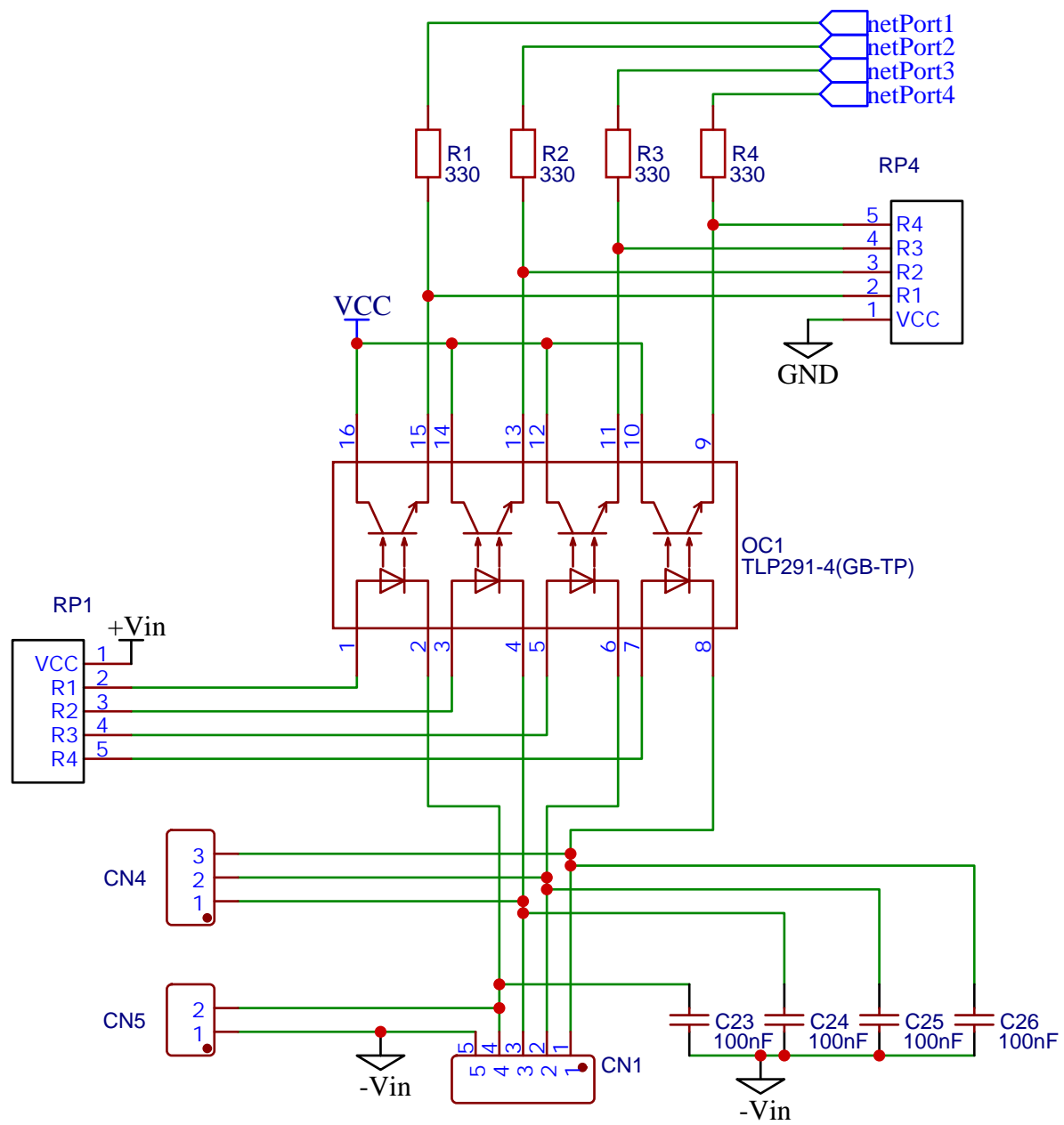



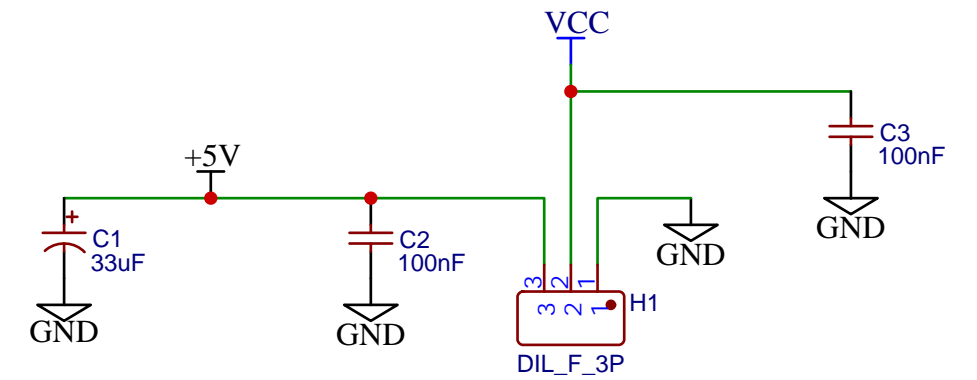
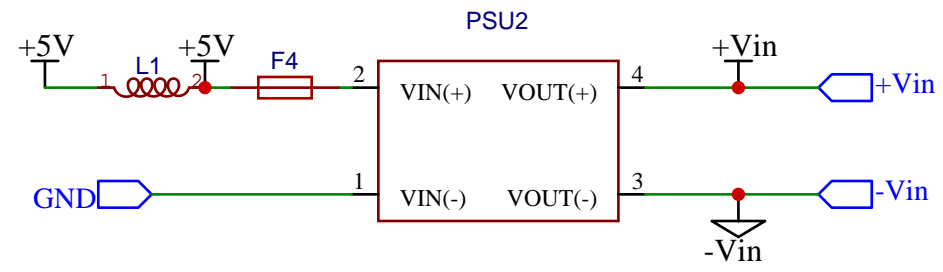
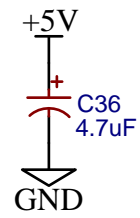
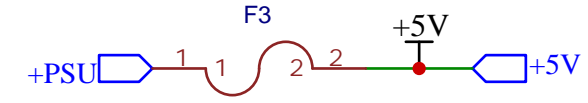
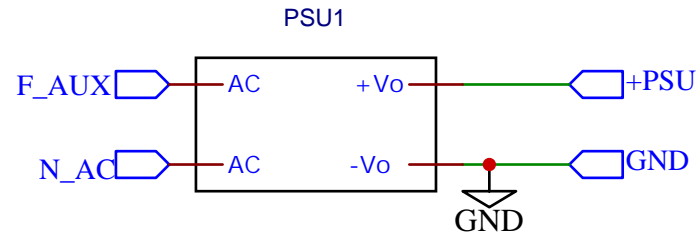
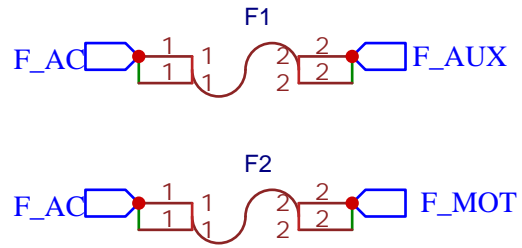
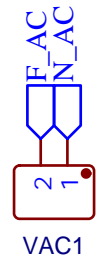
TITLE: RPi-W7 Signals 1..8		REV: 2.0P
3r1's tech 	Company: 3r1's Tech	
	Date: 2020-01-27	Drawn By: dg3r1
		Sheet: 1/1



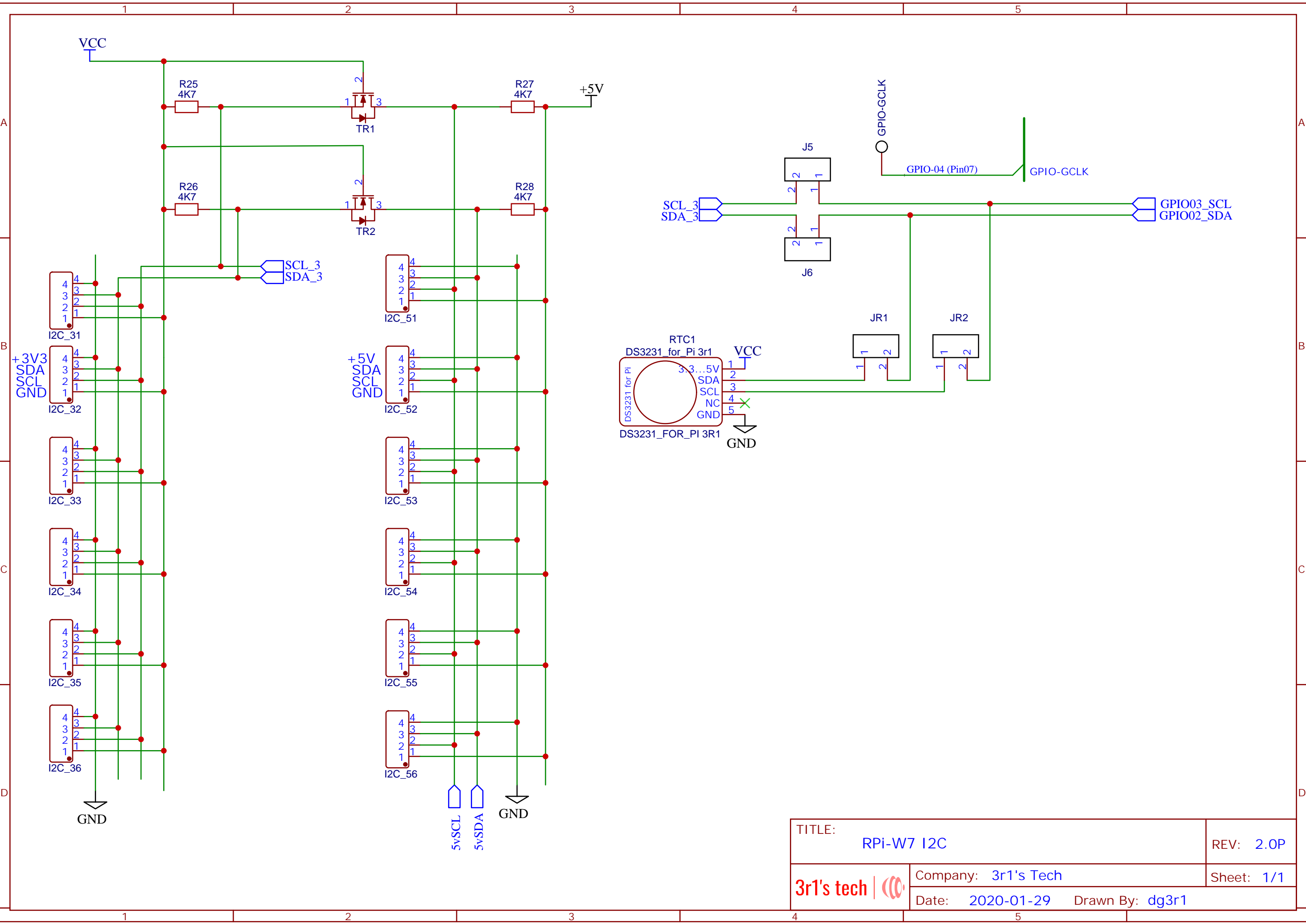
TITLE: RPi-W7 MainBus		REV: 2.0P
3r1's tech 	Company: 3r1's Tech	Sheet: 1/1
	Date: 2020-01-27	Drawn By: dg3r1




TITLE: RPi-W7 Inputs		REV: 2.0P
3r1's tech 	Company: 3r1's Tech	
	Date: 2020-01-27	Drawn By: dg3r1
		Sheet: 1/1



TITLE: RPi-W7 Power		REV: 2.0P
3r1's tech	Company: 3r1's Tech	Sheet: 1/1
	Date: 2020-01-27	Drawn By: dg3r1



TITLE: RPi-W7 I2C		REV: 2.0P
3r1's tech 	Company: 3r1's Tech	
	Date: 2020-01-29	Drawn By: dg3r1
		Sheet: 1/1

1

2

3

4

5

B

C

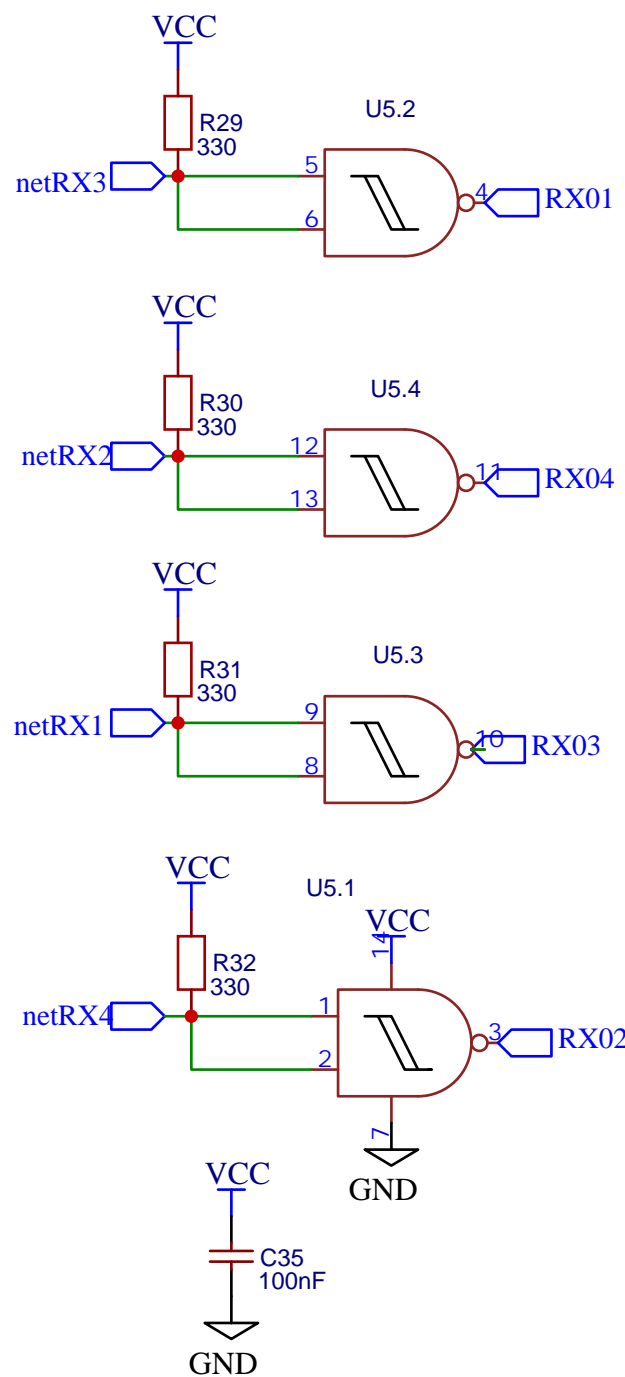
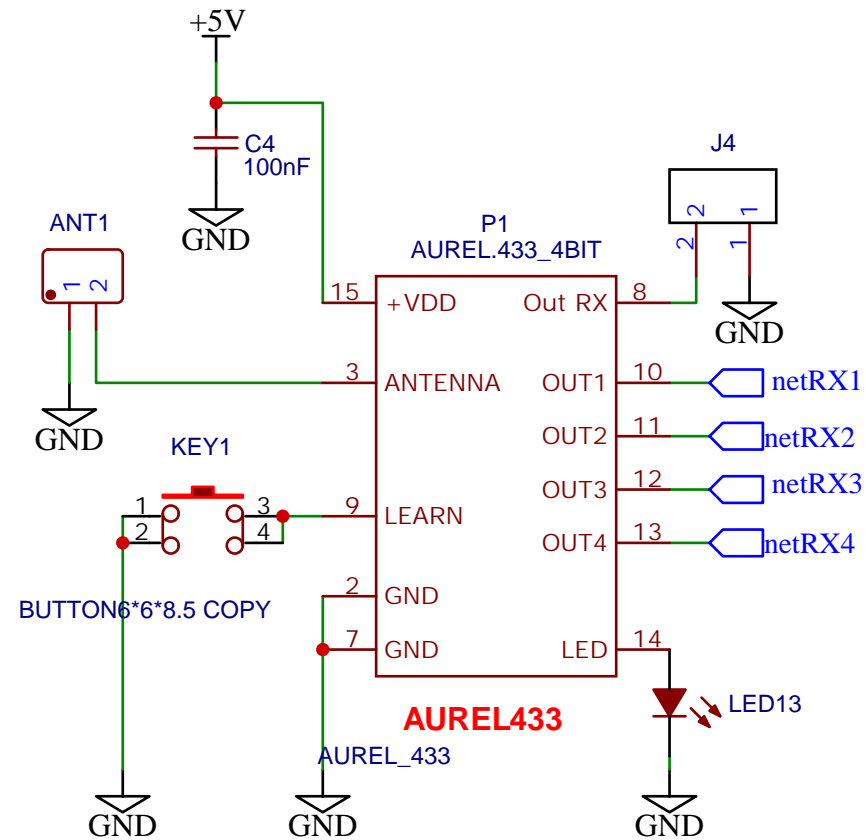
D


A

B

C

D



TITLE: RPi-W7 Receiver		REV: 2.0P
3r1's tech 	Company: 3r1's Tech	Sheet: 1/1
	Date: 2020-04-25	Drawn By: dg3r1

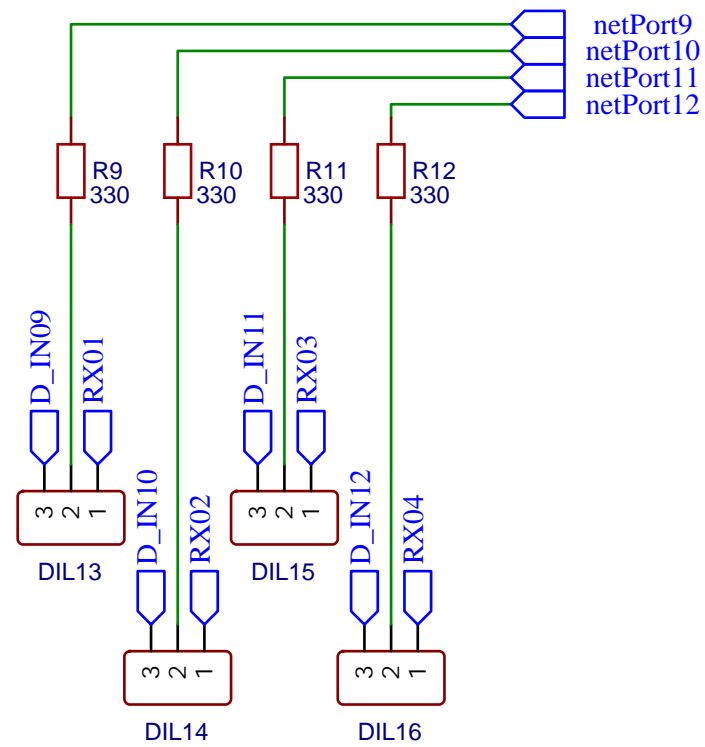
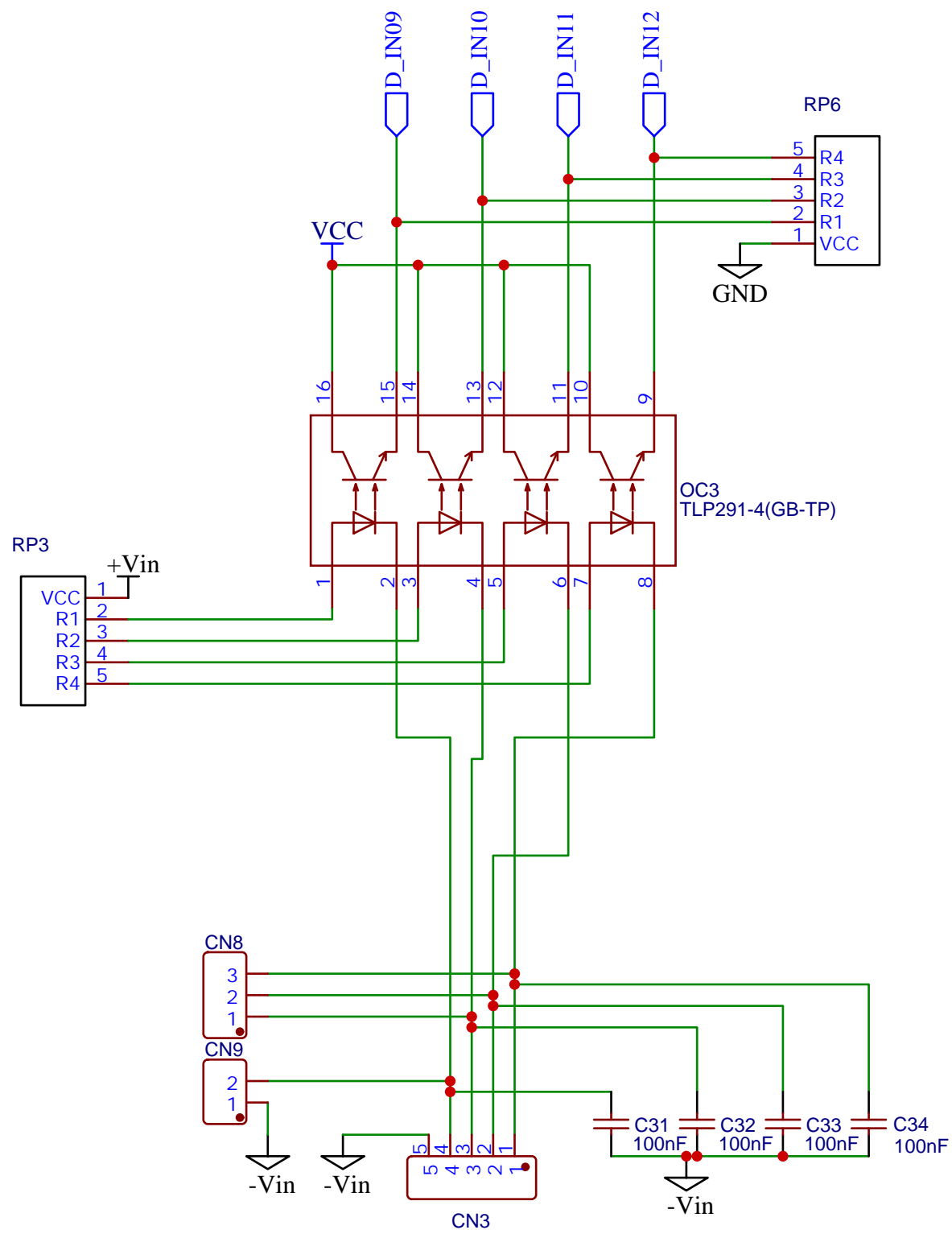
1


2

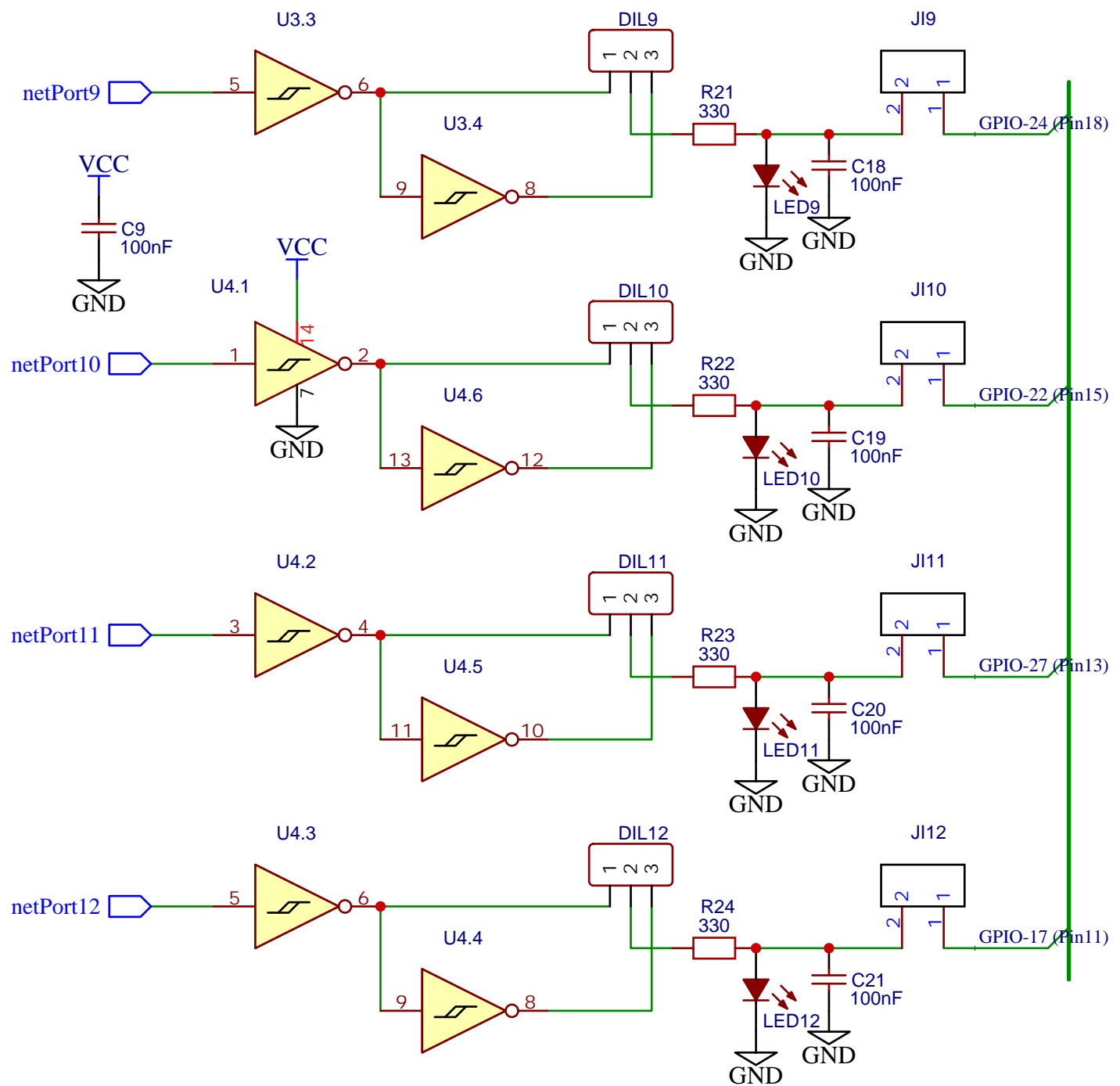
3


4

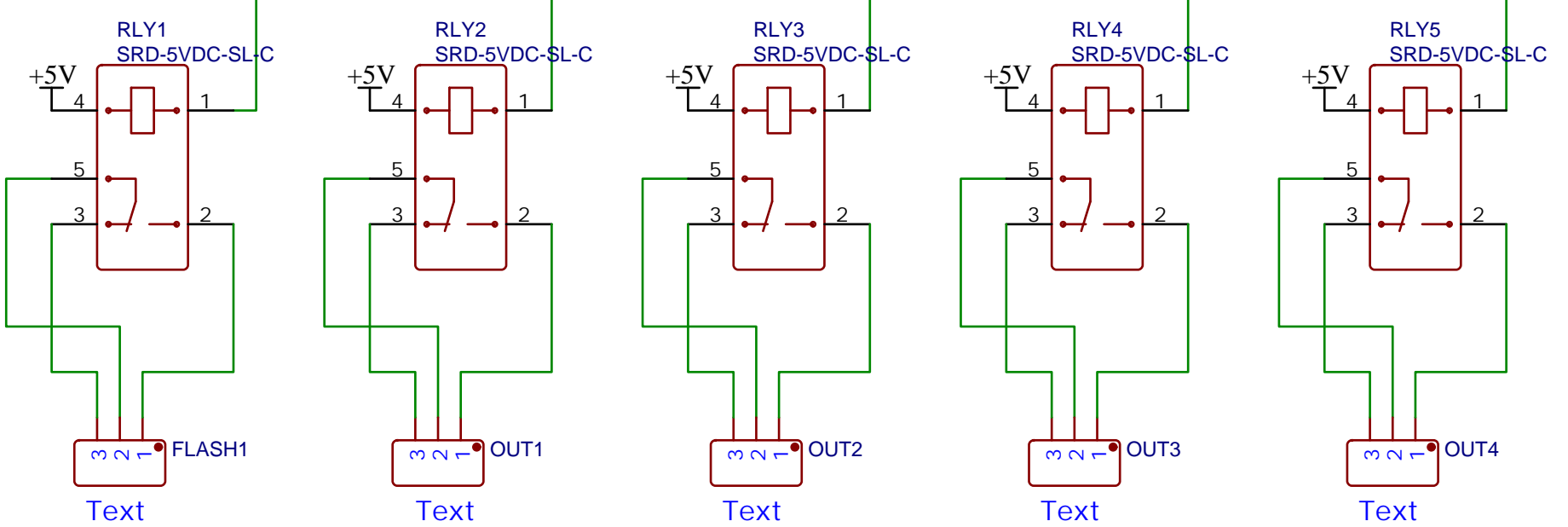
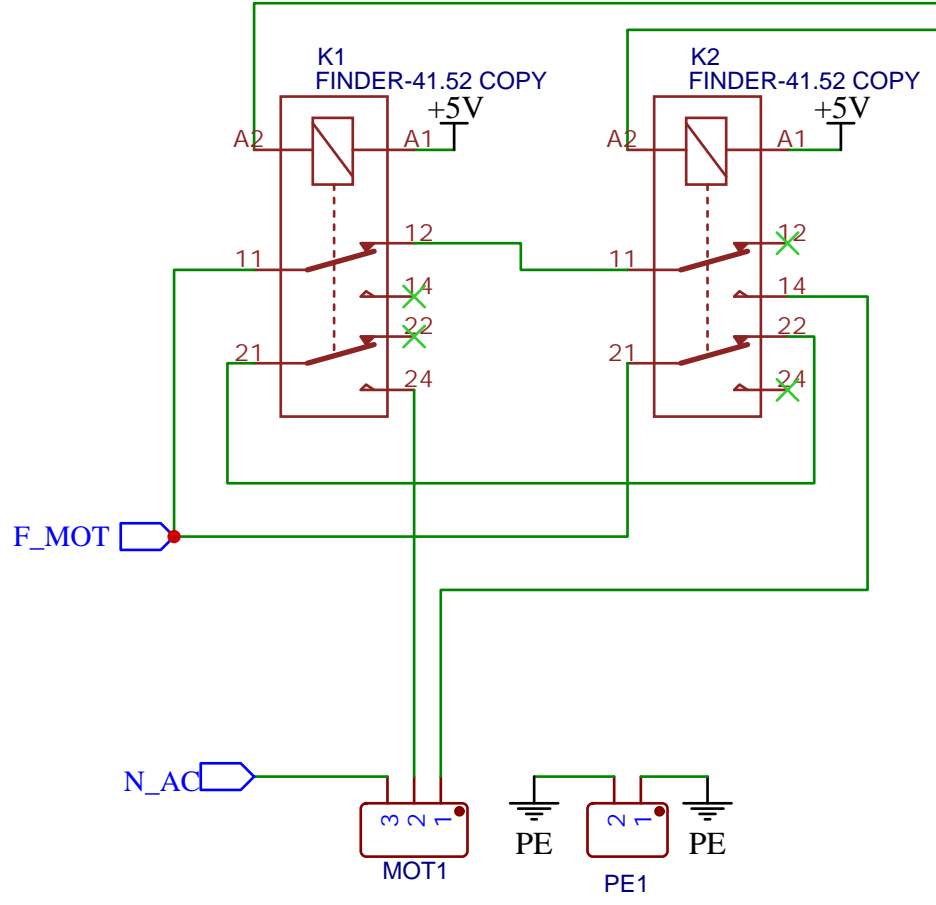
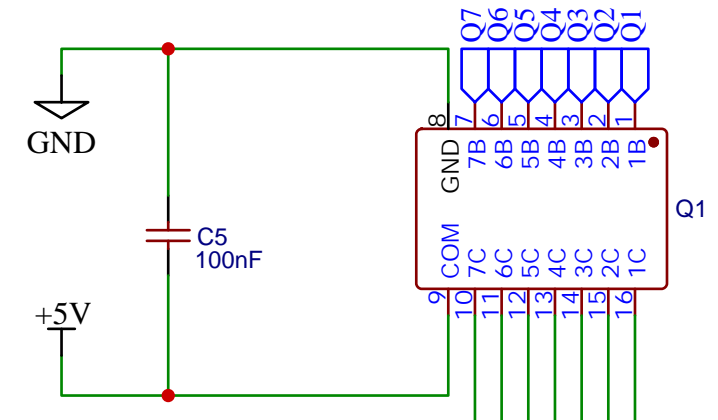
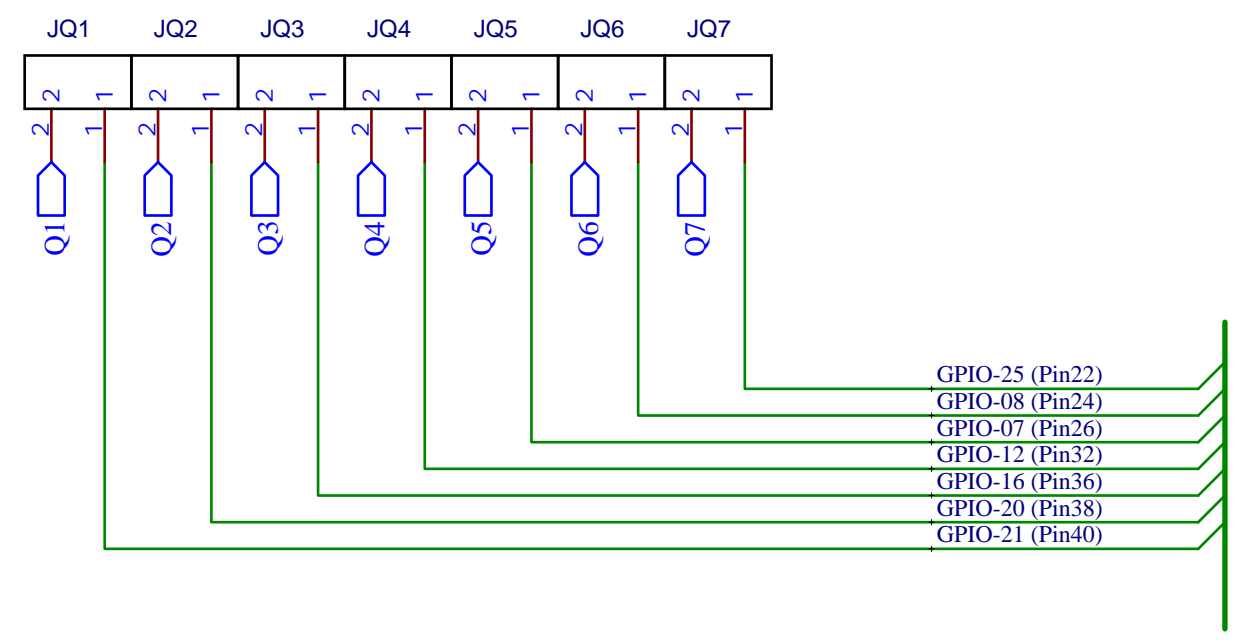
5




TITLE: RPi-W7 INPUTS 9..12/Rx Chan. Selection		REV: 2.0P
3r1's tech 	Company: 3r1's Tech	
	Date: 2020-07-16 Drawn By: dg3r1	
		Sheet: 1/1



TITLE: RPi-W7 SIGNALS 9..12		REV: 2.0P
3r1's tech 	Company: 3r1's Tech	
	Date: 2020-07-16 Drawn By: dg3r1	
		Sheet: 1/1



TITLE: RPi-W7 Outputs		REV: 1.0
3r1's tech 	Company: 3r1's Tech	Sheet: 1/1
	Date: 2021-01-21	Drawn By: dg3r1